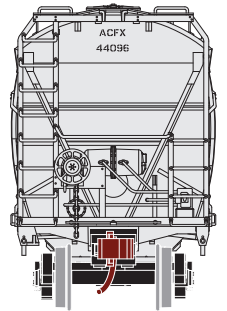
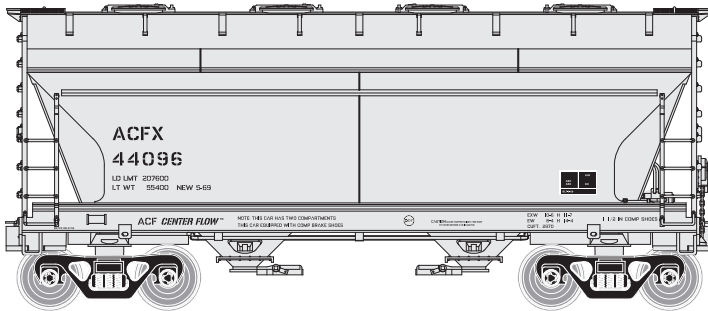
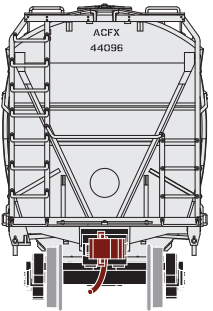
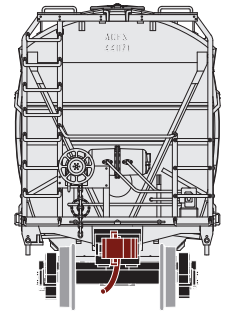
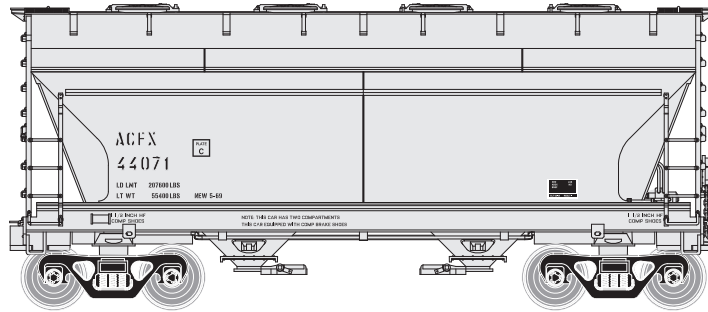
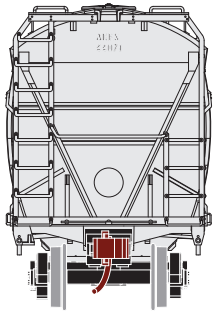




N ACF2970 Covered Hopper ACF Leasing

Announced: 07.25.14
Orders Due: 08.22.14

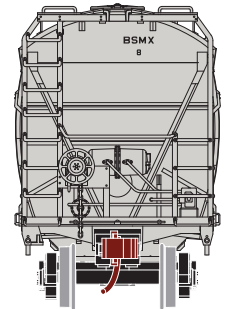
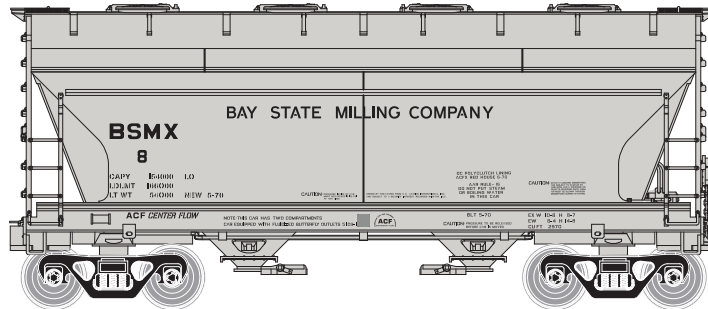
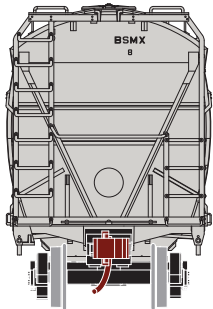
ETA: March 2015



Era: 1969+

ATH23422	#44071
ATH23423	#44076
ATH23424	#44096

Bay State Milling



Era: 1970+

ATH23425	#8
ATH23426	#13
ATH23427	#16

\$22.98



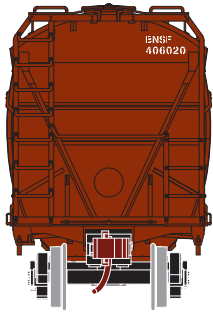


N ACF 2970 Covered Hopper

Announced: 07.25.14
Orders Due: 08.22.14

Burlington Northern Santa Fe

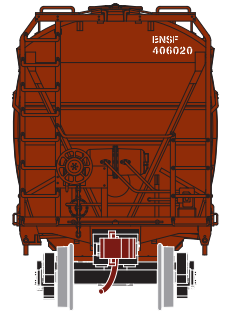
ETA: March 2015



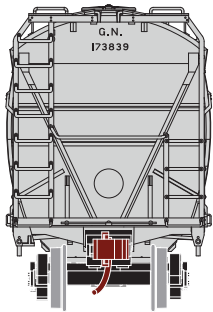
Era: 1996+



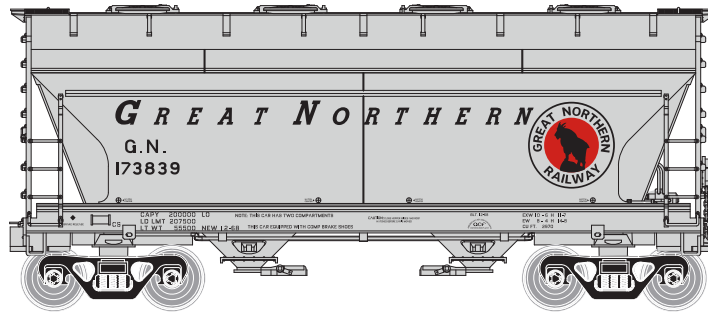
ATH23428	#406020
ATH23429	#406045
ATH23430	#406077



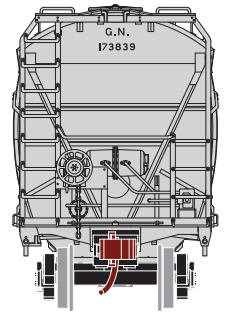
Great Northern



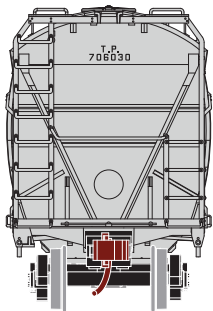
Era: 1968+



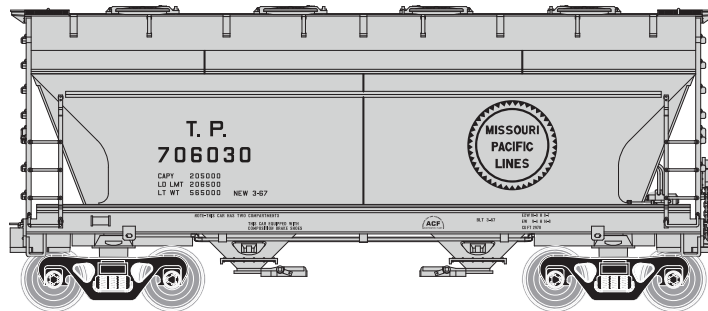
ATH23431	#173839
ATH23432	#173854
ATH23433	#173982



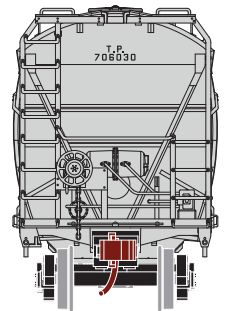
Missouri Pacific / Texas & Pacific*



Era: 1967+



ATH23434	#706030
ATH23435	#706074
ATH23436	#706092



\$22.98

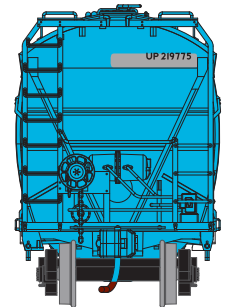
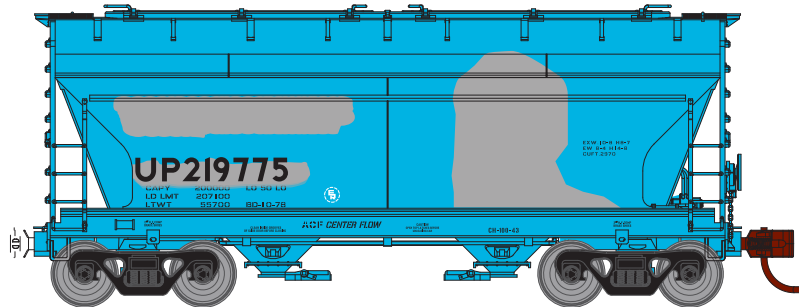
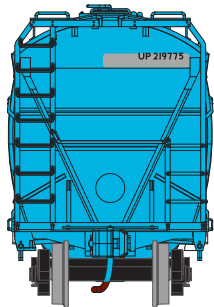
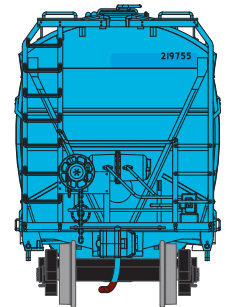
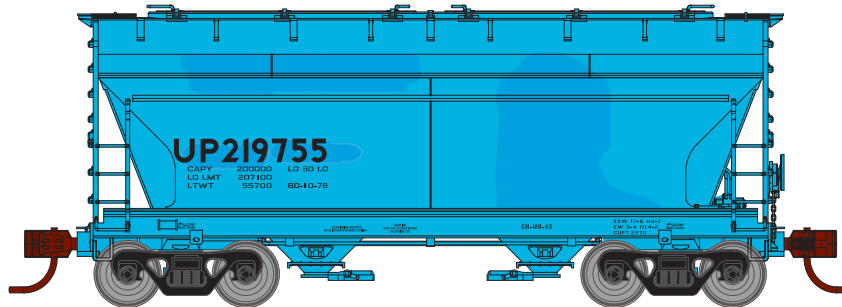
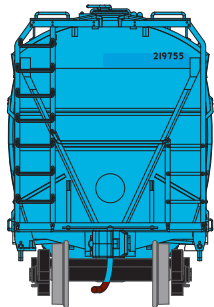
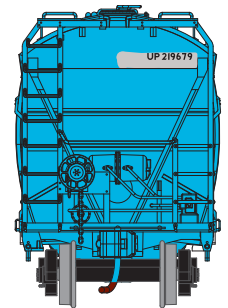
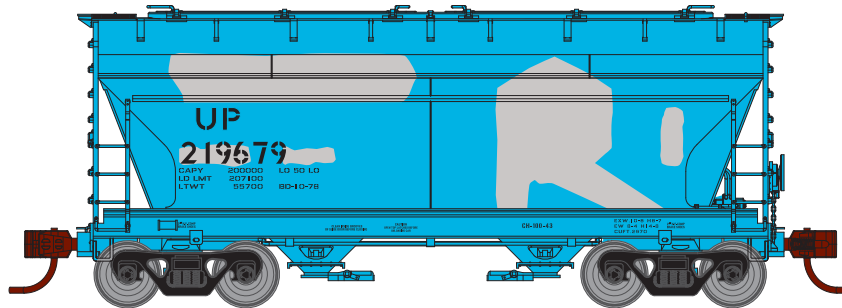
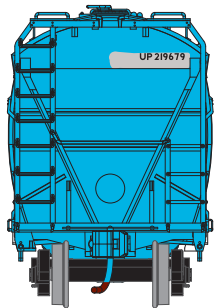




N ACF 2970 Covered Hopper Union Pacific*

Announced: 07.25.14
Orders Due: 08.22.14

ETA: March 2015



Era: 1980+
ex-Rock Island car

ATH23437
ATH23438
ATH23439

#219679
#219755
#219775

MODEL FEATURES

- Round or trough hatches
- Photo-etched metal roof walk
- Separately applied wire grab irons and stirrup steps
- Detailed outlets
- Fully-assembled and ready-to-run out of the box
- Accurately painted and printed
- Highly detailed, injection molded body
- Screw mounted trucks
- Highly detailed, injection molded body
- Separate brake wheel, cylinder, valve and air reservoir with wire brake plumbing
- Operates on Code 55 and 80 rail
- Machined metal wheels
- Body mounted McHenry® operating scale knuckle couplers
- Weighted for trouble free operation
- Clear plastic jewel box for convenient storage
- Minimum radius: 9 3/4"

* Union Pacific Licensed Product

\$22.98

