



HO 20,900 Gallon General Service Tank Car

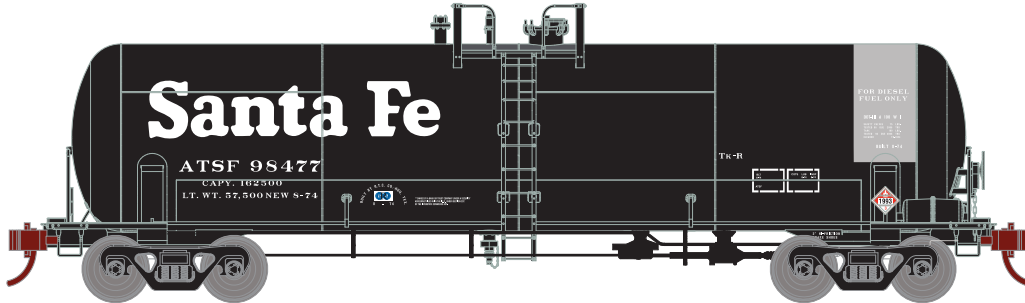
Announced: 11.28.14
Orders Due: 12.26.14

ETA: August 2015

Santa Fe



Era: 1970s+

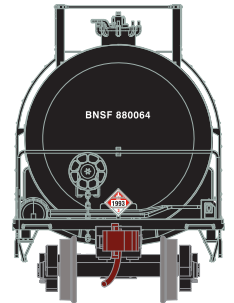
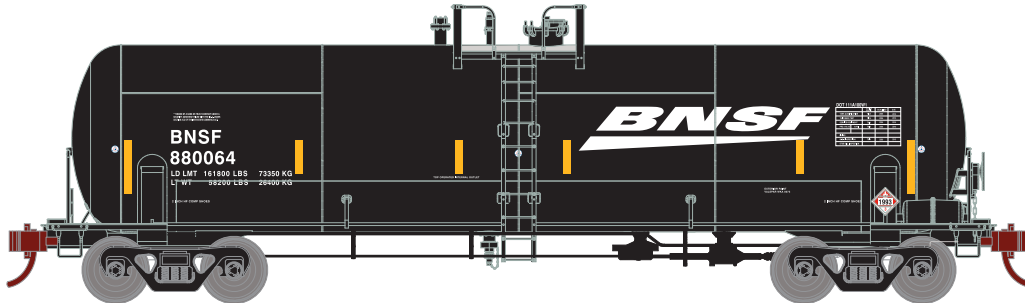


ATH73970	#98477
ATH73971	#98488
ATH73972	#98490

BNSF Railway

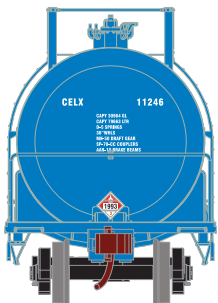


Era: 2005 +

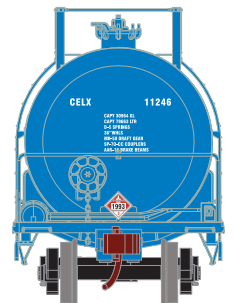
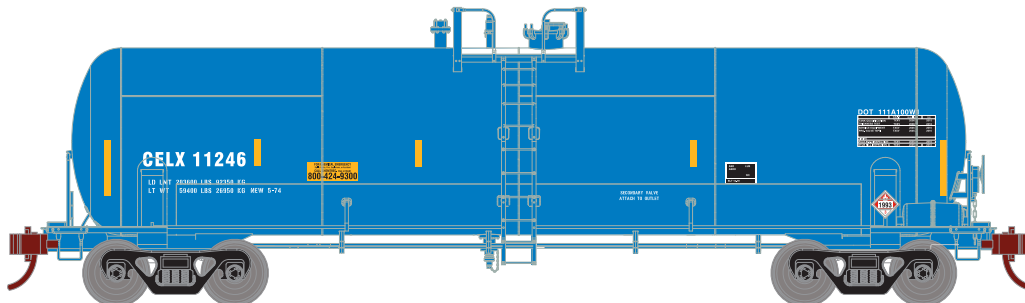


ATH73973	#880064
ATH73974	#880091
ATH73975	#880102

Celtran Incorporated



Era: 2005+



ATH73976	#11246
ATH73977	#11250
ATH73978	#11262

\$39.98



Visit Your Local Retailer | Visit www.athearn.com | Call 1.800.338.4639

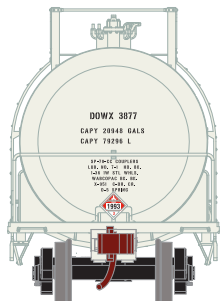


HO 20,900 Gallon General Service Tank Car

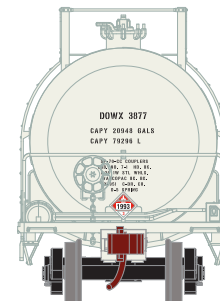
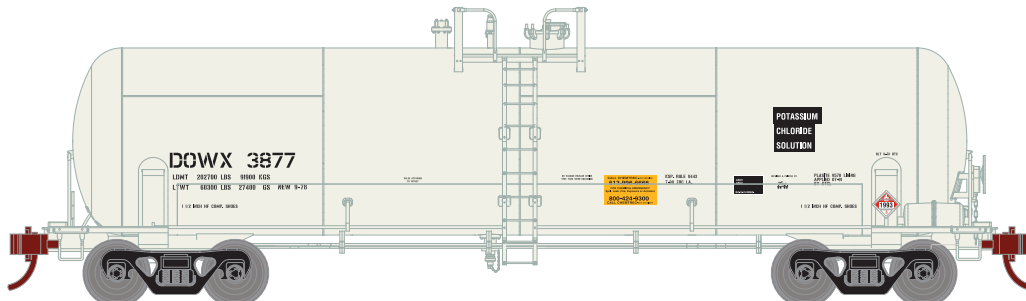
Announced: 11.28.14
Orders Due: 12.26.14

ETA: August 2015

Dow Chemical



Era: 1990s+

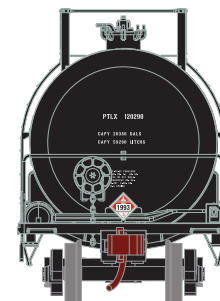
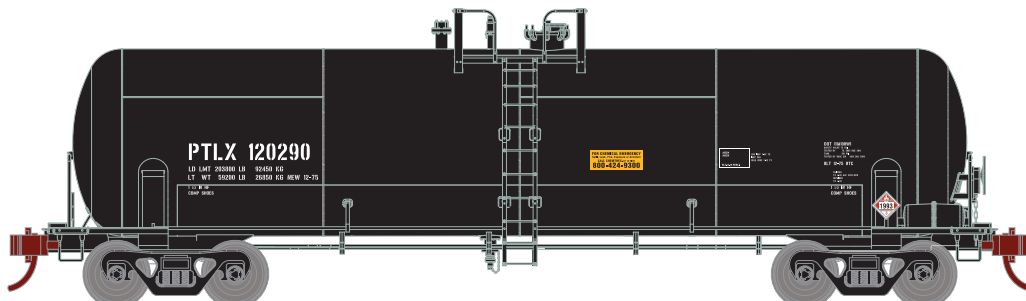


ATH73979 #3877
ATH73980 #3880
ATH73981 #3882

General Electric Rail Services



Era: 1990s+

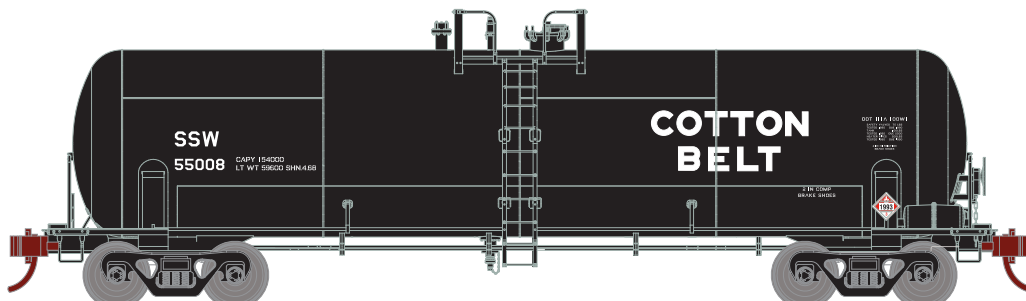


ATH73982 #120290
ATH73983 #120307
ATH73984 #120333

St. Louis - Southwestern*



Era: 1970s+



ATH73985 #55008
ATH73986 #55009
ATH73987 #55010

MODEL FEATURES

- Fully assembled and ready for your layout
- Richmond Tank Car prototype
- Photo-etched platforms
- Factory installed wire grab irons
- Weighted for optimum performance
- Machined RP25 profile metal wheels
- Equipped with McHenry AAR upper/lower shelf couplers per prototype practice

* Union Pacific Licensed Product

\$39.98



Visit Your Local Retailer | Visit www.athearn.com | Call 1.800.338.4639