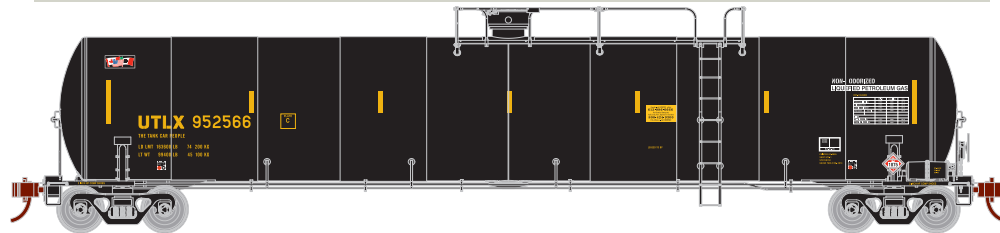
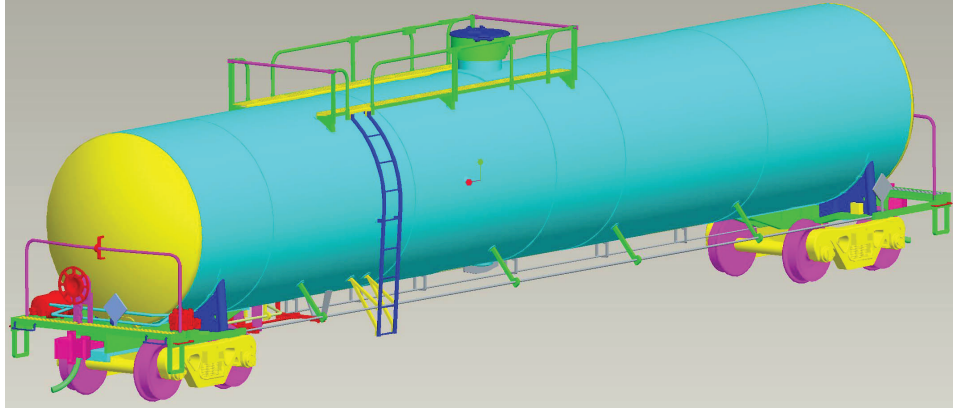


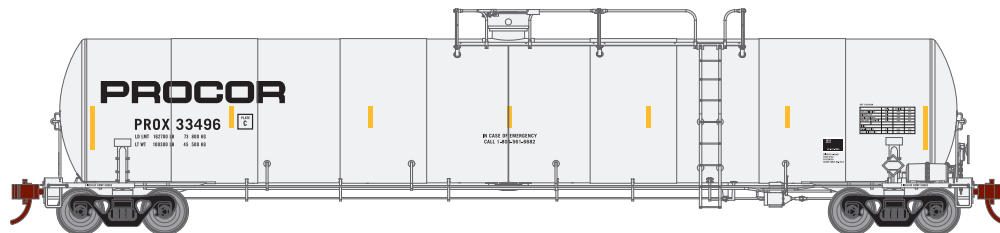


Announced: 12-15-09
Orders Due: 1-15-10
 ETA: June 2010

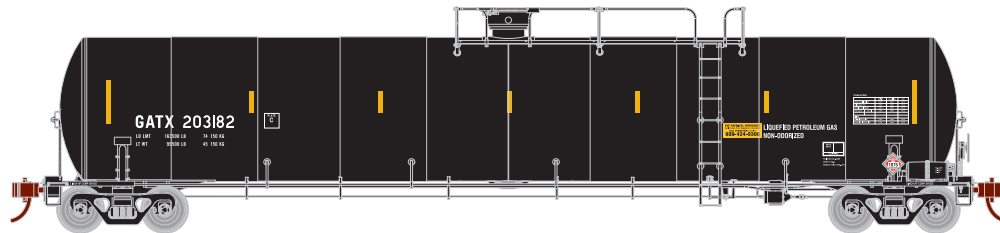
33.9K Gallon LPG Tank-Late



- _____ 96412 UTLX #952566 \$34.98
- _____ 96413 UTLX #952853 \$34.98
- _____ 96414 UTLX #953017 \$34.98



- _____ 96415 Procor #33496 \$34.98
- _____ 96416 Procor #33497 \$34.98
- _____ 96417 Procor #33498 \$34.98



- _____ 96418 GATX #203182 \$34.98
- _____ 96419 GATX #203198 \$34.98
- _____ 96420 GATX #202959 \$34.98
- _____ 96401 Undecorated - Late with offset platform \$34.98

Era: 1997-present

- Fully assembled
- Scaled from manufacturer's drawings
- Photo-etched end platforms, die-cast end frames
- Equipped with McHenry® scale AAR upper/lower shelf knuckle spring couplers per prototype practice
- Prototype cars carry LPG, ammonia, butadiene, isoprene, gasoline, etc.
- RP25 profile machined metal wheel sets
- Weighted for optimal performance
- Metal grab irons, photo-etched platforms, wireform details

Athearn Trains • 2883 East Spring Street • Suite 100 • Long Beach, CA • 90806
 310-763-7140 • fax 562-427-0536 • www.athearn.com