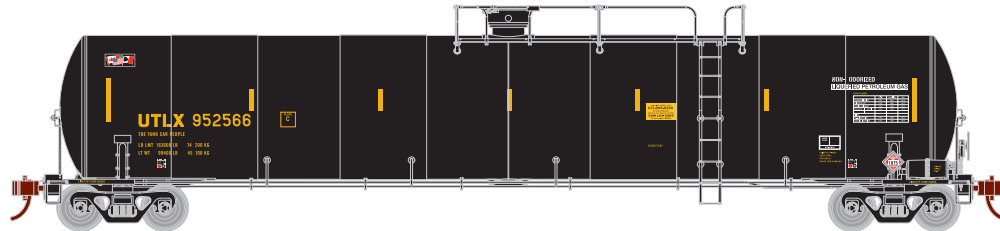
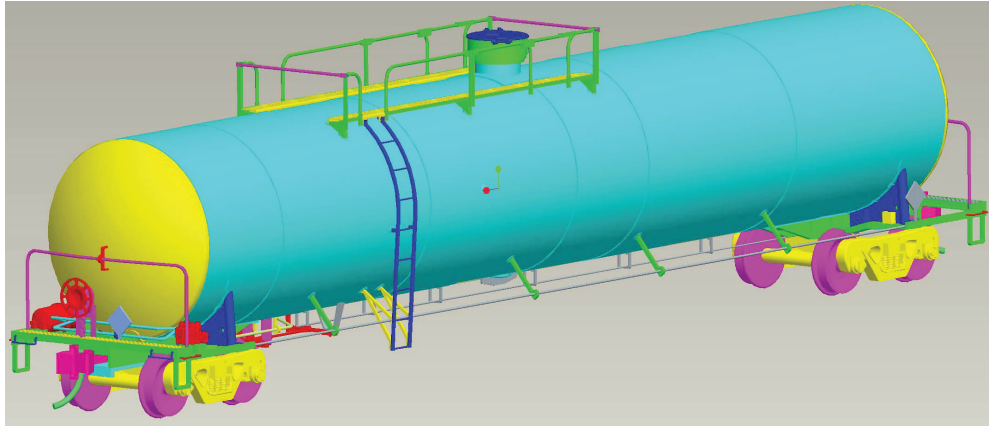
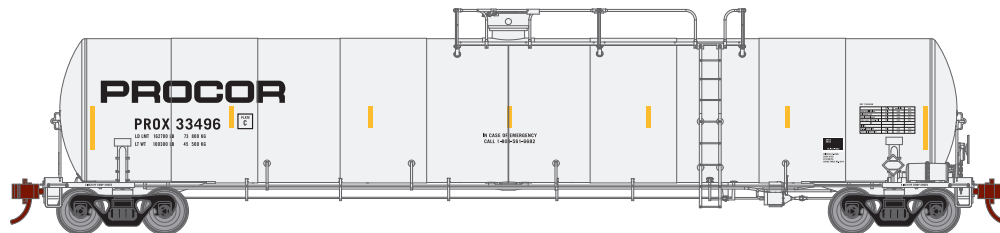




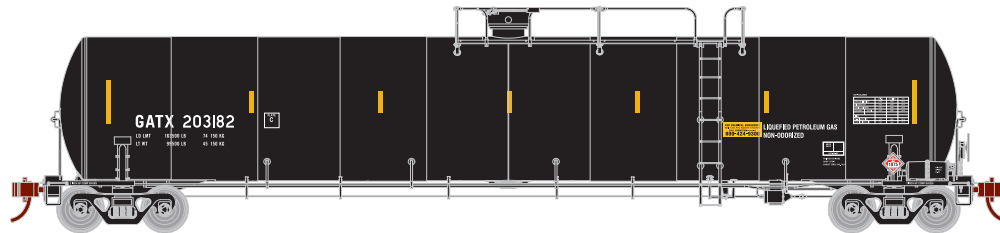
# 33.9K Gallon LPG Tank-Late



- \_\_\_\_\_ 23512 UTLX #952566 \$22.98
- \_\_\_\_\_ 23513 UTLX #952853 \$22.98
- \_\_\_\_\_ 23514 UTLX #953017 \$22.98



- \_\_\_\_\_ 23515 Procor #33496 \$22.98
- \_\_\_\_\_ 23516 Procor #33497 \$22.98
- \_\_\_\_\_ 23517 Procor #33498 \$22.98



- \_\_\_\_\_ 23518 GATX #203182 \$22.98
- \_\_\_\_\_ 23519 GATX #203198 \$22.98
- \_\_\_\_\_ 23520 GATX #202959 \$22.98
- \_\_\_\_\_ 23501 Undecorated Late with offset platform \$22.98

Era: 1997 to present

- Fully assembled
- Weighted for optimal performance
- Photo-etched placards
- Prototype cars carry LPG, ammonia, butadiene, isoprene, gasoline, etc.
- Scaled from manufacturer's drawings
- Photo-etched and wire form details
- Equipped with McHenry® N scale knuckle couplers

Athearn Trains • 2883 East Spring Street • Suite 100 • Long Beach, CA • 90806  
 310-763-7140 • fax 562-427-0536 • www.athearn.com