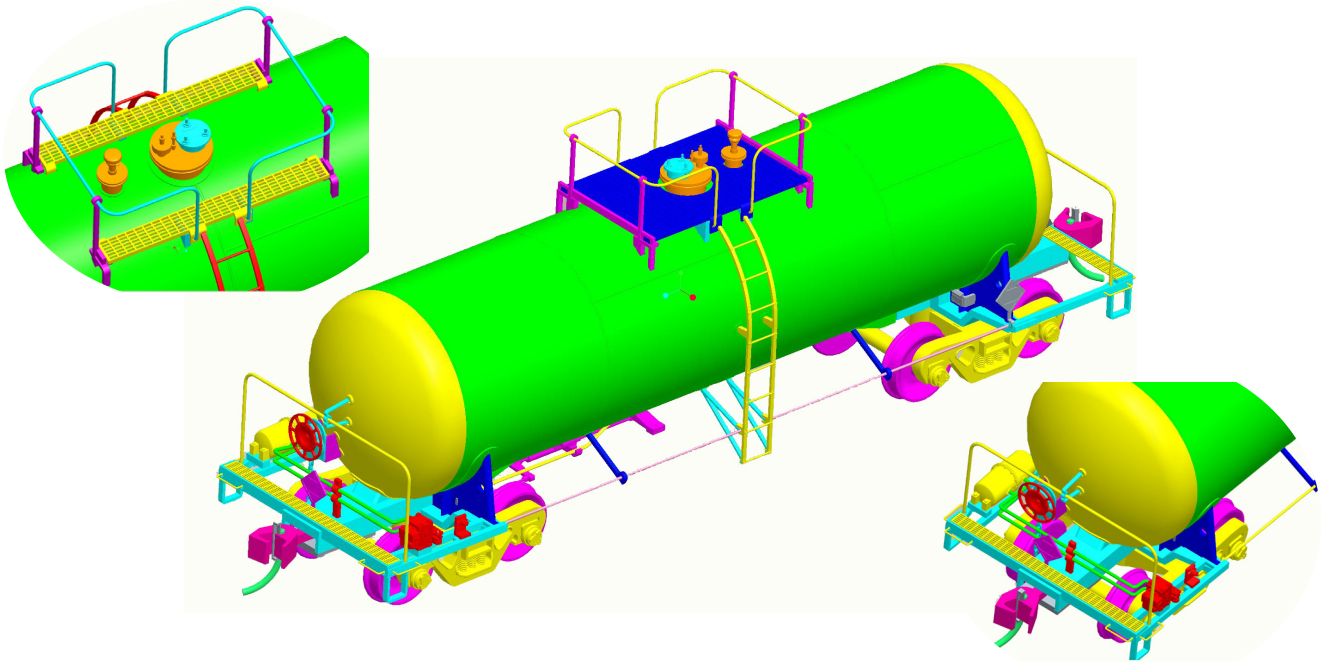




Announced: 9-16-08
Orders Due: 10-10-08
ETA: April 2009

13,600 Gal Acid Tank Car



Union Tank Car Company 13,600 gallon Sulfuric Acid Tank Car

This brand-new, highly-detailed model from Athearn represents two major phases of straight-tank Union Tank Car (UTC)-built 13,600 gallon sulfuric acid tank car, designs never offered before in HO. Also note that Procor, UTC's Canadian affiliate, built some cars identical to these designs. The early phase has a four-section tank body, and was built from mid-1979 to late-1988. The later phase has a three-section tank body, and was built from early-1988 to late-1999. Athearn's state-of-the-art model will offer different top platform and brake configurations to match the prototypes, along with many separately applied details to add to their incredible realism.

Operationally, these cars offer many opportunities for contemporary (late 1970s to present) modelers. Sulfuric acid tank cars can be seen in great numbers all over North America, often moving in groups of multiple cars in a train. Sulfuric acid is a common commodity, consumed and produced by many different industries: oil refining, metal processing, ore refining, fertilizer manufacturing, waste water processing, and chemical synthesis, among others. Even if your layout does not have these industries represented, these cars can still be of use, since they often traveled as bridge traffic on many roads, to be interchanged to and from other railroads as part of their journey across the country.

Era: 1979 to Present

- All-new tooling of a prototype never offered before in HO
- Two different body "phases" (early and late)
- Different top platforms as appropriate per prototype
- Different brake systems as appropriate per prototype
- Many separately applied details
- McHenry® scale double-shelf knuckle spring couplers
- Highly detailed, injection-molded body
- Etched metal walkways
- Separate wire grabs and handrails
- Different end sills as appropriate per prototype
- Razor-sharp painting and printing

Athearn Trains • 1550 Glenn Curtiss Street • Carson, CA • 90746
310-763-7140 • fax 310-763-7449 • www.athearn.com